

CENTRAL MACHINERY®

34 INCH FLOOR RADIAL DRILL PRESS

Model 44846

ASSEMBLY AND OPERATING INSTRUCTIONS



Visit our website at: <http://www.harborfreight.com>



**Read this material before using this product.
Failure to do so can result in serious injury.
SAVE THIS MANUAL.**

Copyright© 2000 by Harbor Freight Tools®. All rights reserved. No portion of this manual or any artwork contained herein may be reproduced in any shape or form without the express written consent of Harbor Freight Tools. Diagrams within this manual may not be drawn proportionally. Due to continuing improvements, actual product may differ slightly from the product described herein. Tools required for assembly and service may not be included.

For technical questions or replacement parts, please call 1-800-444-3353.

Specifications

ITEM	DESCRIPTION
Motor	120 VAC, 60 Hz, single phase, 1/3 HP, 1700 RPM, 3 amps
Spindle Speeds	620, 110, 1720, 2340, 3100 RPM
Spindle Stroke	3 inches
Spindle Taper	MT2
Spindle to Base Distance	50-1/4 inches (maximum)
Spindle to Table Distance	28-1/4 inches
Column	3.12 (diameter) x 52-3/8 (H) inches Head to Base
Base Dimensions	10-1/2 (W) x 17-3/4 (L) inches; Slot 1/2 (W) x 5-1/2 (L) inches
Overall Dimensions	64-7/8 (H) x 33 (L) x 7-1/2 (W) inches
Chuck	Taper: JT-3; Size: 5/8"
Table Slot	5/8 (W) x 3 (L) inches
Table Rotation	360°; Tilt: 45° (left and right)
Head Tilts	0° -40° -90°
Radial Travel	12 inches
Table Size	11-7/8 (diameter) inches
Weight	135 lbs.



86PJ

Save This Manual

You will need the manual for the safety warnings and precautions, assembly instructions, operating and maintenance procedures, parts list and diagram. Keep your invoice with this manual. Write the invoice number on the inside of the front cover. Keep the manual and invoice in a safe and dry place for future reference.

Safety Warnings and Precautions

WARNING: When using tool, basic safety precautions should always be followed to reduce the risk of personal injury and damage to equipment.

Read all instructions before using this tool!

1. **Keep work area clean.** Cluttered areas invite injuries.
2. **Observe work area conditions.** Do not use machines or power tools in damp or wet locations. Don't expose to rain. Keep work area well lighted. Do not use electrically powered tools in the presence of flammable gases or liquids.
3. **Keep children away.** Children must never be allowed in the work area. Do not let them handle machines, tools, or extension cords.
4. **Store idle equipment.** When not in use, tools must be stored in a dry location to inhibit rust. Always lock up tools and keep out of reach of children.

5. **Do not force tool.** It will do the job better and more safely at the rate for which it was intended. Do not use inappropriate attachments in an attempt to exceed the tool capacity.
6. **Use the right tool for the job.** Do not attempt to force a small tool or attachment to do the work of a larger industrial tool. There are certain applications for which this tool was designed. Do not modify this tool and do not use this tool for a purpose for which it was not intended.
7. **Dress properly.** Do not wear loose clothing or jewelry as they can be caught in moving parts. Protective, electrically non-conductive clothes and non-skid footwear are recommended when working. Wear restrictive hair covering to contain long hair.
8. **Use eye and ear protection.** Always wear ANSI approved impact safety goggles. Wear a full face shield if you are producing metal filings or wood chips. Wear an ANSI approved dust mask or respirator when working around metal, wood, and chemical dusts and mists.
9. **Do not overreach.** Keep proper footing and balance at all times. Do not reach over or across running machines.
10. **Maintain tools with care.** Keep tools sharp and clean for better and safer performance. Follow instructions for lubricating and changing accessories. Inspect tool cords periodically and, if damaged, have them repaired by an authorized technician. The handles must be kept clean, dry, and free from oil and grease at all times.
11. **Disconnect power.** Unplug when not in use.
12. **Remove adjusting keys and wrenches.** Check that keys and adjusting wrenches are removed from the tool or machine work surface before plugging it in.
13. **Avoid unintentional starting.** Be sure the switch is in the Off position when not in use and before plugging in.
14. **Stay alert.** Watch what you are doing, use common sense. Do not operate any tool when you are tired.
15. **Take caution as some woods contain preservatives such as copper chromium arsenate (CCA) which can be toxic.** When cutting these materials extra care should be taken to avoid inhalation and minimize skin contact.
16. **Check for damaged parts.** Before using any tool, any part that appears damaged should be carefully checked to determine that it will operate properly and perform its intended function. Check for alignment and binding of moving parts; any broken parts or mounting fixtures; and any other condition that may affect proper operation. Any part that is damaged should be properly repaired or replaced by a qualified technician. Do not use the tool if any switch does not turn On and Off properly.
17. **Guard against electric shock.** Prevent body contact with grounded surfaces such as pipes, radiators, ranges, and refrigerator enclosures.
18. **Replacement parts and accessories.** When servicing, use only identical

replacement parts. Use of any other parts will void the warranty. Only use accessories intended for use with this tool. Approved accessories are available from Harbor Freight Tools.

19. **Do not operate tool if under the influence of alcohol or drugs.** Read warning labels on prescriptions to determine if your judgment or reflexes are impaired while taking drugs. If there is any doubt, do not operate the tool.
20. **Use proper size and type extension cord.** If an extension cord is required, it must be of the proper size and type to supply the correct current to the tool without heating up. Otherwise, the extension cord could melt and catch fire, or cause electrical damage to the tool. This tool requires use of an extension cord of **0 to 12 amps** capability (up to 50 feet), with wire size rated at **16 AWG**. Longer extension cords require larger size wire (smaller AWG number). If you are using the tool outdoors, use an extension cord rated for outdoor use. (Signified by "WA" on the jacket).
21. **Secure Workpiece.** Use clamps or a vise to hold workpiece, if possible. Never hold workpiece with your hands.
22. **Never leave Drill Press running unattended.** Turn the power OFF.
23. **Maintenance.** For your safety, service and maintenance should be performed regularly by a qualified technician.

Note: Performance of this tool may vary depending on variations in local line voltage. Extension cord usage may also affect tool performance.

Warning: The warnings, cautions, and instructions discussed in this instruction manual cannot cover all possible conditions and situations that may occur. It must be understood by the operator that common sense and caution are factors which cannot be built into this product, but must be supplied by the operator.

Drill Press Safety Warnings and Precautions

1. Secure the Drill Press Base to the floor using 7/16 inch bolts (not supplied).
2. Locate the Drill Press in an area where you walk around it unhampered.
3. Avoid kickback and grabbing by clamping the workpiece to the table, or use a vise that is secured to the table. If the workpiece begins to spin, do not attempt to stop it with your hands. Turn the motor OFF, and wait until it stops spinning before attempting to remove it.
4. Avoid being caught and pulled into the spinning chuck. Do not wear gloves, long sleeve shirts, ties, or jewelry. Long hair must be bundled behind the head.
5. Never place hands and arms near the workpiece to avoid the possibility of the workpiece coming loose and striking you.
6. Before drilling, turn on the motor and check for bit wobble or machine vibration. If this is found, correct the problem before drilling.
7. Set the proper spindle speed for the specific drilling operation.

8. When finished with the Drill Press, always press the Switch to the OFF position.
9. Do not mount (or adjust) the workpiece on the Drill Press Table while the motor is running.
10. When drilling or cutting large holes, use the slower speeds and securely fasten the workpiece to the table using a mounted vise.
11. Do not use drill bits that extend more than six inches from the Chuck.
12. Do not use circle cutters, rotary planers, wire wheels, router bits, or shaper cutters on this Drill Press.

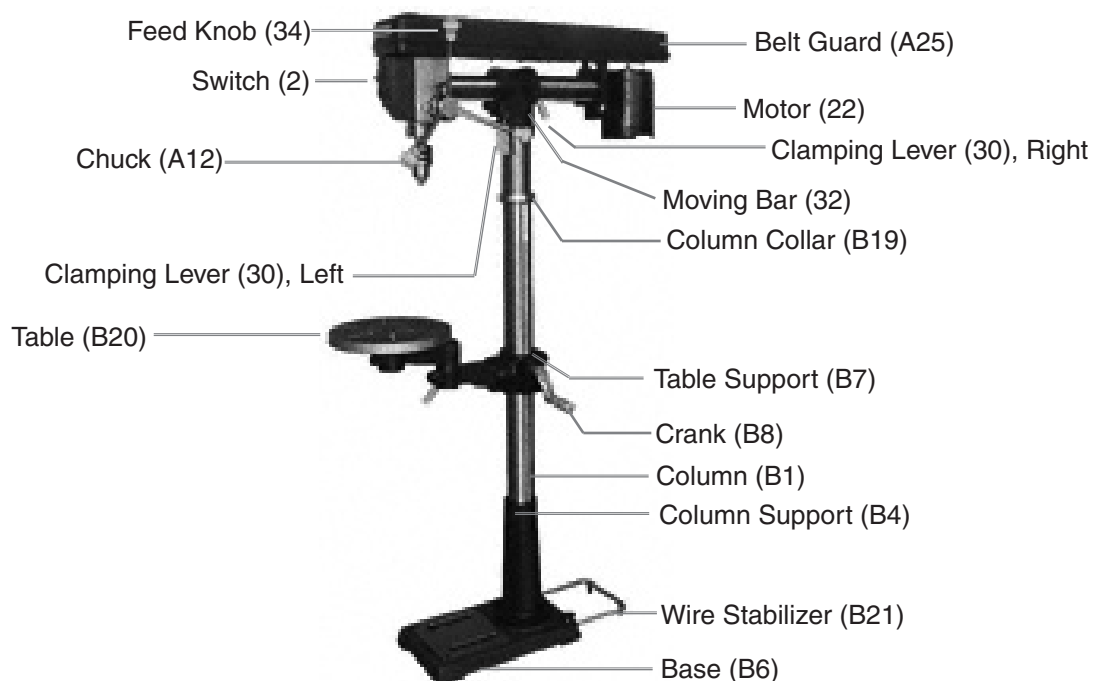
Unpacking

When unpacking, check that all parts are included. Refer to the Parts Lists and Assembly Drawings located at the end of this manual. If any parts are missing or broken, please call Harbor Freight Tools at the number on the cover of this manual as soon as possible.

Assembly

Assembly hardware is located in one box and one bag. Each contains the necessary parts for each assembly step. Remove all packing and protective material from the Drill Press components. To aid in assembly, refer to the Assembly Drawings at the end of this manual.

1. Position the **Base** (B6) on a level and sturdy floor for mounting.
Bolt the Base to the floor using appropriate hardware (not supplied). Base holes will accommodate 7/16 inch bolts. Pull out the Wire Stabilizer (B21) rod from the rear of the Base.
2. Place the **Column Support** (B4) on the Base, aligning the mounting holes.
3. Insert four large Hex Screws (B5) into the mounting holes and tighten with a wrench.
4. Insert the **Column** (B1) into the Column Support (B4) and secure with Screw (B3).



5. Install the **Table Support** (B7), with attached table Arm (B14), over the Column (B1) and slide it down. Engage the gears onto the Rack (B2). Tighten the Table Clamp (B13).
6. Slide the **Column Collar** (B19) over and down the Column (B1) about 8 inches. Tighten Screw (B11).
7. Place the Extend Arm (B15) into the Arm (B14), and then the Table (B20) into the opening in the Extend Arm.

CAUTION: Avoid injuries. The next step involves lifting the Head Assembly onto the Column. The Head Assembly is heavy. Have someone help you lift this assembly into place.

8. Using two people, lift the **Head Assembly** and insert the Column Guide (18) over the Column (B1).

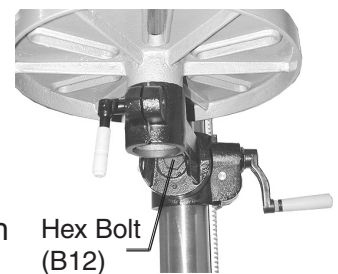
Slide it down on the Column Tube as far as it will go. Align it so that it faces straight forward, inline with the Base.

9. Insert one Locking Shoe (15) into place inside the bottom of the Column Guide (18), and the other on the outside of the Column Guide. Tighten the Clamping Lever (30) into the Locking Shoe at the base of the Column Guide.
10. Adjust **V-Belt (A1) tension** or change speeds.
 - Open the Belt Guard (A25) to expose the V-Belt.
 - Loosen the Thumb Nut (28) to relieve the V-Belt tension.
 - If necessary, move the Belt up or down on the pulleys to change the drill speed.
 - Push the Motor backward, tightening the Belt on the pulleys, and hold in place.
 - Turn the Thumb Nut (28) clockwise to tighten the V-Belt in place.
 - Refer to the chart inside the Guard lid to select speed and belt locations.

Note: To test the proper belt tension, push in on the center of each belt at its center. It should move only 1/2 inch (in or out).

Caution: overtightening the belts can cause the motor to bind, and not start. It can also damage Motor bearings.

11. Locate the **Feed Knobs** (34) and **Feed Rods** (35) and screw into the Hub (36).
12. Install the **Chuck** (A12).
 - Thoroughly clean the tapered hole in the Chuck and the Spindle (A15) shaft of all dirt, grease, oil, and protective coatings (paint thinner may be necessary).
 - Slide the Chuck onto the Spindle shaft.
 - Turn the Chuck sleeve clockwise and open the jaws completely.
 - Tap the nose of the Chuck lightly with a piece of wood to securely set the Chuck.
13. Verify that the Table (B20) is square (90 degrees) to the Head Assembly and drill bit.
 - Raise the Table to within four inches of the Chuck.
 - Place the long side of a combination square on the Table.
 - Align the short side of the square to the drill bit.
 - If the Table is not square to the bit, loosen Hex Bolt (B12) with



a wrench.

- Rotate the Table until it is square to the bit.
- Retighten the Hex Bolt (B12).

Operation

Warning: Avoid personal injuries. Before operating this machine, review all Safety Warnings and Precautions listed on pages 2 through 5.

Drilling

While following these procedures, refer to the photo on page 5.

1. Loosen the Table Clamp (B13) and turn Crank (B8) to adjust the Table height to accommodate the workpiece being drilled. Retighten Table Clamp.
2. Open the Chuck (A12) and insert the drill bit in the center. Tighten with the Chuck Key.
3. Secure the workpiece (and backup material) to the Table using a vise and/or clamp.

The workpiece sits on the backup material which is typically a scrap piece of wood used to stabilize the workpiece. It also helps the drill make a cleaner hole. To keep it from spinning, have it touching the left side of the Column.

4. Bring the drill bit down with the Feed Knob (34) to where the hole is to be drilled.
Make minor workpiece alignment adjustments.
5. Plug the Power Cord (29) into an electrical outlet.

Warning: Wear an ANSI approved, full face shield while drilling any type of material.

6. Push the Switch (2) up to turn the Motor ON.
7. Pull down on the Feed Knob and slowly drill the hole into the workpiece.

Warning: If the drill bit grabs and spins the workpiece, do not attempt to stop the spinning with your hands. Step back, and push the Switch down to the OFF position. Wait for the spindle to stop turning before dislodging the workpiece.

8. When the drilling is complete, press the Switch to the OFF position.

Adjusting the Head Angle

Caution: Before making any adjustments, unplug the Power Cord (29) from the electrical outlet.

1. To adjust the Head angle to other than 90 degrees, loosen the right Clamping Lever (B30).
2. Pull out the Guide Pin (16) and turn it 90 degrees so that its cross pin rests on top of the outlet.
3. Align the mark on the Column Guide (18) with the Scale (33).
4. Once the Head is tilted to the desired angle, retighten the Clamping Lever.

5. To return the Head to the 90 degree position, do these procedures in reverse.

Moving the Head Horizontally

1. Loosen the left-side Clamping Lever (30) and rotate the Head Assembly up to 360 degrees.
2. Retighten the Clamping Lever.

Moving the Head Forward or Backward.

1. Loosen the right-side Clamping Lever (30).
2. Turn the Moving Bar (32) clockwise or counterclockwise until the desired position is reached.
3. Tighten the right-side Clamping Lever.

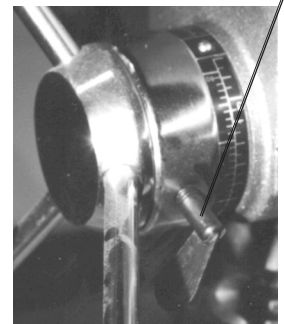
Adjusting the Table

1. Loosen the Support Clamp (B16).
2. Turn the Crank (B8) to move the Table to the desired height.
3. Tighten the Support Clamp.
4. To tilt the Table, loosen Hex Bolt (B12) and turn the Table.
The scale can be used to approximate the angle. Tighten the Hex Bolt.

Setting the Depth Scale to Drill to a Specified Depth

1. Secure the workpiece to the Table.
2. Mark the desired hole depth on the side of the workpiece.
Also view the depth indicator on the Depth Stop Ring (37).
3. Loosen the Depth Lock Screw (38).
4. Turn the scale on the Depth Stop Ring to the desired depth and retighten the Depth Lock Screw.
5. Turn the Drill Press ON and pull the Feed Knob (34) counterclockwise until it drills the hole and stops at the set depth.
6. Turn the Drill Press OFF.

Depth Lock Screw (38)



Changing the Chuck Speed

The Drill Press has five different Chuck speeds. Refer to the speed chart in the Belt Guard (A25).

1. Lift the Belt Guard lid.
2. Loosen the Thumb Nut (28). The belt tension should release.
3. Move the V-belt (A1) to the desired level (speed) on the pulleys.

4. Push the Motor (22) backward and hold. Retighten the Thumb Nut.

Note: To test the proper belt tension, push in on the center of each belt at its center. It should move only 1/2 inch (in or out).

5. Close the Belt Guard Lid.

Maintenance

Warning: Before performing any maintenance to this machine, remove the line cord from the electrical outlet.

Removing the Chuck and Spindle Shaft

During this procedure, refer to the Chuck and Spindle Assembly Drawing.

1. Pull the Feed Knob counterclockwise and hold the Chuck at a depth of three inches.
2. Align the key holes in the Spindle (A15) shaft and the Quill Tube (A10) by turning the Chuck by hand.
3. Insert a Wedge Drift Key (not supplied) into the key holes.
4. Lightly tap the wedge Drift Key (A14) with a rubber mallet until the Spindle shaft falls out of the Quill Tube.

Place a bundled cloth or basket below the Chuck to catch it when it falls.

Installing the Chuck and Spindle Shaft

1. Using a clean cloth, wipe the tapered surfaces on the Spindle shaft (A15).
2. Slide the Spindle shaft and Chuck assembly up and into the Quill Tube (A10).

At the same time, turn the assembly until the rectangular end of the Spindle shaft slips into the notch on the Quill Tube.

Warning: In the previous step, if the Spindle shaft is not properly set in the Quill Tube notch, it may fly out during operation.

3. Loosen the Support Clamp (B16) and raise the Table (B20) about three inches below the Chuck.
4. Turn the Chuck sleeve clockwise to open the jaws completely.
5. Pull the Feed Knob counterclockwise and force the Chuck against the Table until the Spindle shaft is secure.

Adjusting the Feed Wheel Return Tension Spring

Caution: Wear a full face shield during this procedure.

1. Move the Chuck to its uppermost position and lock in place.
2. Insert a screwdriver in the lower-front notch of the Cap Spring (8).

Hold it in place and, using a wrench, remove the (outer) Hex Nut (7) only.

3. With the screwdriver still in place, loosen the (inner) Hex Nut (7) until the Cap Spring notch disengages from the Spring Retainer (10) -- about 1/8 inch.

4. Turn the screwdriver counterclockwise and engage the next Cap Spring notch.

Leave the screwdriver in place.

5. Tighten the (inner) Hex Nut just enough to engage the notch.

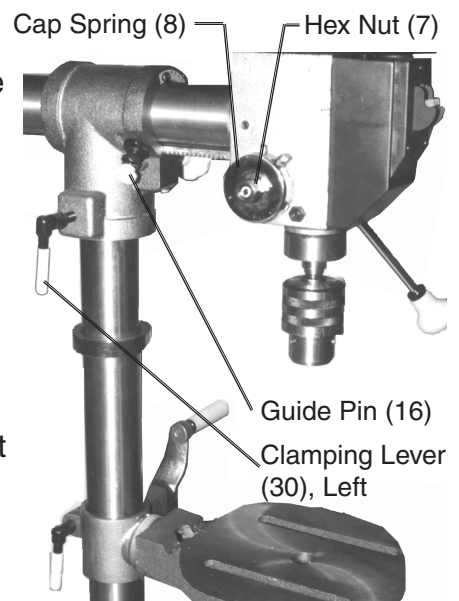
If this Hex Nut is too tight, it will restrict (up and down) Chuck-Spindle movement.

6. Pull the Feed Knob and check the spring tension, making sure the up movement is smooth and complete.

From one inch down, the Chuck should return to its uppermost position. If more tension is required, repeat steps.

7. Replace the (outer) Hex Nut (7) and tighten on top of the (inner) Hex Nut. Do not overtighten.

8. If the (up/down) movement is restricted, slightly loosen the (inner) Hex Nut, and retighten the (outer) Hex Nut.



General Maintenance

1. Using compressed air, blow clean the Table, Base, and Motor cooling vents of dirt and materials.
2. Apply paste wax to the Table and Column to enable movement and to help keep surfaces clean.
3. All bearings are factory lubricated and need no further attention.
4. Periodically, lubricate the Tube Column, Table, and Spindle upper teeth with a light oil.
5. Monthly, check the tightness of all mounting screws and bolts in the Base, Column, and Head assemblies.
6. Check belt for wear and replace if frayed or damaged in any way.
7. Lubricate Spindle assembly with a light oil, weekly.
8. Store in a clean and dry location.

Troubleshooting

SYMPTOM	POSSIBLE CAUSE	SOLUTION
Drill bit burns or smokes	<ul style="list-style-type: none"> - Incorrect spindle speed - Dull drill bit - Drilling too slowly - Lacking lubrication 	<ul style="list-style-type: none"> - Change spindle speed - Replace with new bit - Drill faster - Lubricate cutting area
Makes unusual noise	<ul style="list-style-type: none"> - Belt tension set wrong - Spindle dry - Loose spindle pulley - Loose motor pulley 	<ul style="list-style-type: none"> - Adjust belt tension - Lubricate spindle - Check pulley nut - Tighten Set screws
Drill bit wobbles	<ul style="list-style-type: none"> - Bent bit - Worn Spindle Bearings - Drill bit not in Chuck correctly - Chuck not properly installed 	<ul style="list-style-type: none"> - Replace drill bit - Replace spindle bearings - Reinstall drill bit - Reinstall Chuck and Arbor assembly
Feed Wheel returns slowly, or too fast	<ul style="list-style-type: none"> - Tension Spring not in adjustment 	<ul style="list-style-type: none"> - Adjust Tension Spring. See page 9.
Drill bit binds	<ul style="list-style-type: none"> - Workpiece pinching drill bit - Dull drill bit - Feed pressure too hard - Belts loose 	<ul style="list-style-type: none"> - Reposition workpiece, lubricate drill - Replace drill bit - Pull Feed Handle slowly. - Adjust motor and spindle belt tension

NOTE: Some parts are listed in these Part Lists are shown for illustration purposes only and are not available individually as replacement parts.

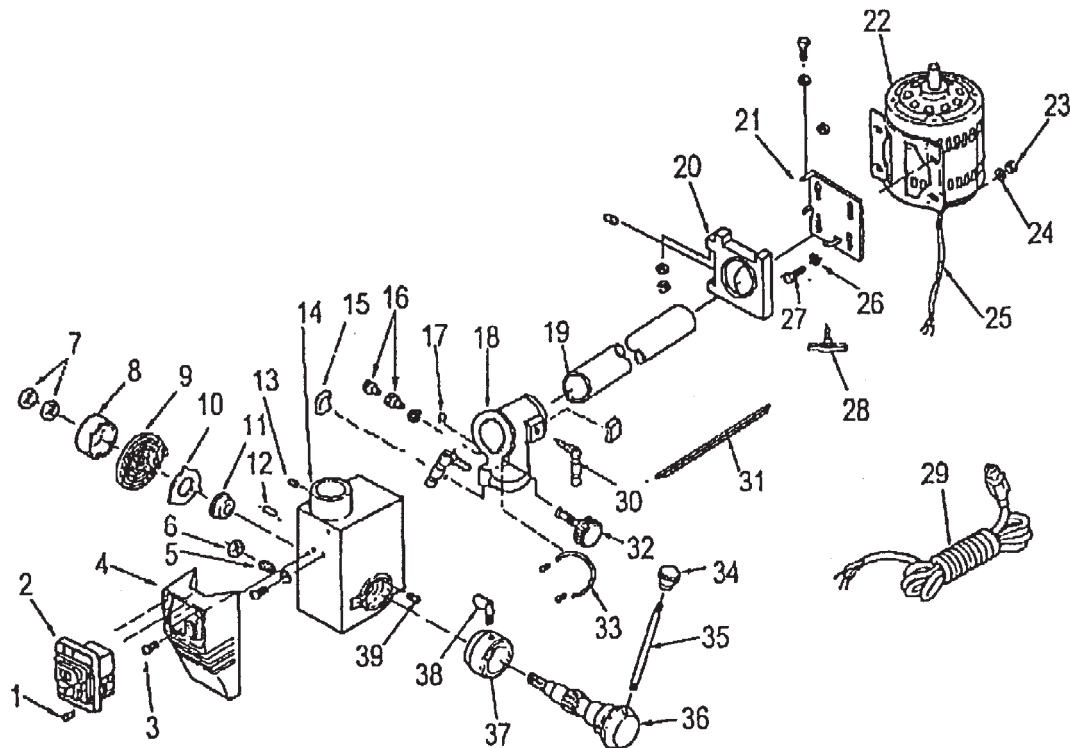
PLEASE READ THE FOLLOWING CAREFULLY

THE MANUFACTURER AND/OR DISTRIBUTOR HAS PROVIDED THE PARTS DIAGRAM IN THIS MANUAL AS A REFERENCE TOOL ONLY. NEITHER THE MANUFACTURER NOR DISTRIBUTOR MAKES ANY REPRESENTATION OR WARRANTY OF ANY KIND TO THE BUYER THAT HE OR SHE IS QUALIFIED TO MAKE ANY REPAIRS TO THE PRODUCT OR THAT HE OR SHE IS QUALIFIED TO REPLACE ANY PARTS OF THE PRODUCT. IN FACT, THE MANUFACTURER AND/OR DISTRIBUTOR EXPRESSLY STATES THAT ALL REPAIRS AND PARTS REPLACEMENTS SHOULD BE UNDERTAKEN BY CERTIFIED AND LICENSED TECHNICIANS AND NOT BY THE BUYER. THE BUYER ASSUMES ALL RISK AND LIABILITY ARISING OUT OF HIS OR HER REPAIRS TO THE ORIGINAL PRODUCT OR REPLACEMENT PARTS THERETO, OR ARISING OUT OF HIS OR HER INSTALLATION OF REPLACEMENT PARTS THERETO.

Head Assembly Parts List

Item #	Description	Item #	Description
1	Self-tapping Screw, 4.2	21	Motor Mount
2	No-Volt Switch	22	Motor
3	Screw, Pan Hd., M5x12	23	Nut, Hex, M8
4	Switch Box	24	Washer, 8
5	Screw Set, Special	25	Cord, Motor
6	Nut, Hex	26	Washer, 8
7	Nut, Hex, M12	27	Screw, Hex, M8x20
8	Cap Spring	28	Nut, Thumb
9	Spring, Torsion	29	Cord, Power
10	Retainer Spring	30	Clamping Lever
11	Seat Spring	31	Horizontal Rack
12	Roll Pin	32	Moving Bar
13	Screw, Socket Hd.	33	Scale
14	Head	34	Feed Knob
15	Locking Shoe	35	Feed Rod
16	Guide Pin	36	Hub
17	Retaining Ring	37	Ring, Depth Stop
18	Column Guide	38	Depth Lock Screw
19	Horizontal Tube	39	Pin Stop
20	Cover Mount		

Head Assembly Drawing

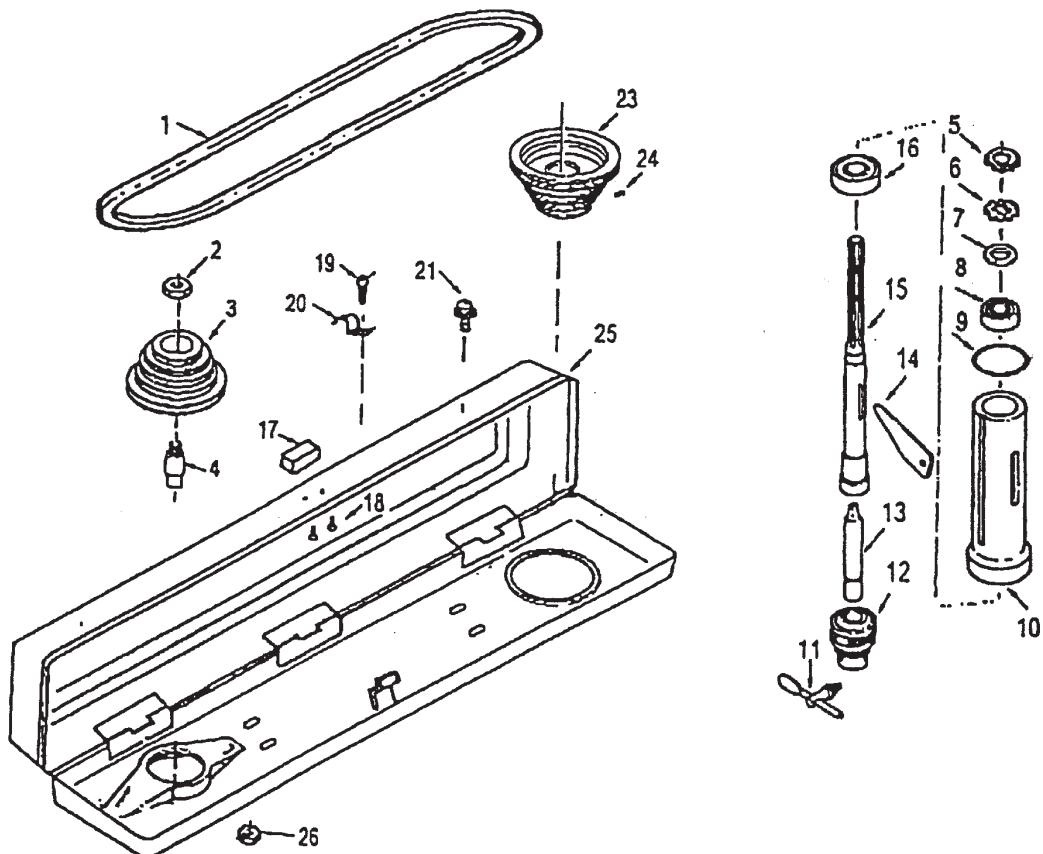


Pulley and Spindle Assembly Parts List

Item #	Description
A1	V-belt, M58
A2	Pulley Nut
A3	Spindle Pulley
A4	Insert Pulley
A5	Retaining Ring
A6	Locking Ring
A7	Washer
A8	Ball Bearing, 60203
A9	Washer, Rubber
A10	Quill Tube
A11	Chuck Key
A12	Chuck
A13	Arbor

Item #	Description
A14	Drift Key
A15	Spindle
A16	Ball Bearing, 60204
A17	Knob
A18	Screw, M5x12
A19	Screw, M5x12
A20	Clamp Cord
A21	Screw, M6x12
A23	Motor Pulley
A24	Screw, M6x10
A25	Belt Guard
A26	Form Washer

Pulley and Spindle Assembly Drawing

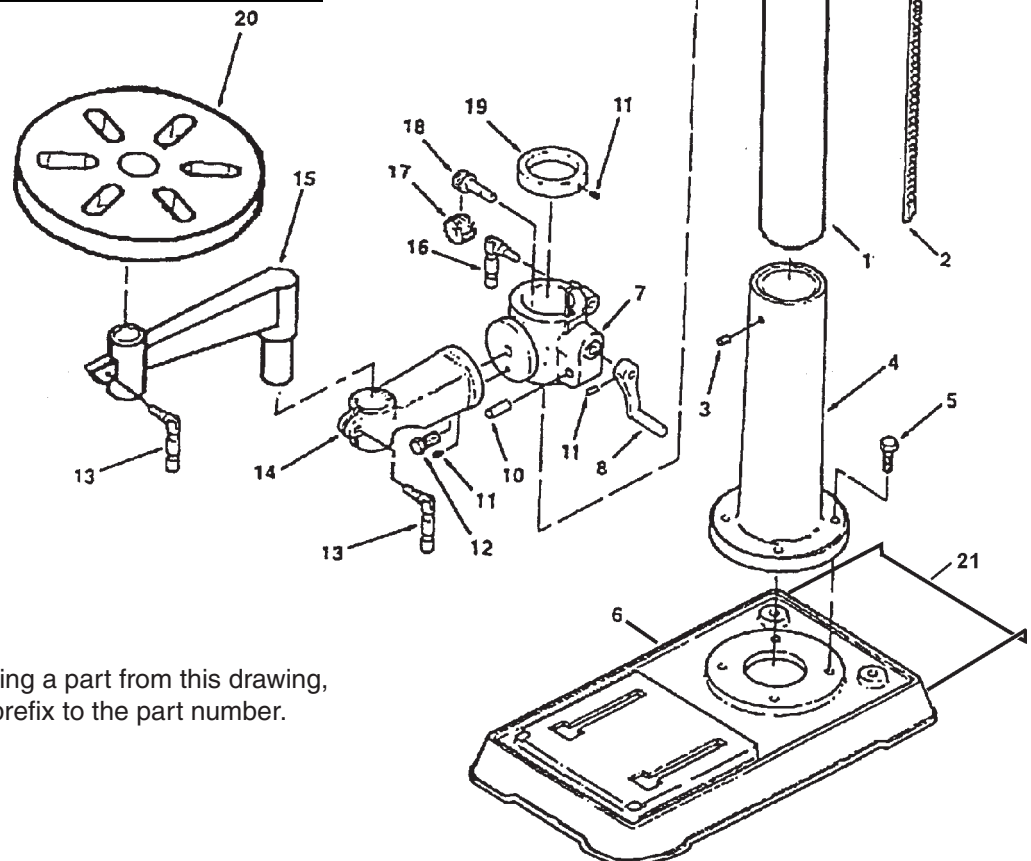


When ordering a part from this drawing, add an "A" prefix to the part number.

Base and Table Assembly Parts List

Item #	Description
B1	Column
B2	Rack
B3	Screw, M10x12
B4	Column Support
B5	Hex Bolt, M10x40
B6	Base
B7	Table Support
B8	Crank
B10	Pin Gear
B11	Screw, M6x10
B12	Hex Bolt, M16x35
B13	Table Clamp
B14	Arm
B15	Extend Arm
B16	Support Clamp
B17	Gear, Helical
B18	Worm, Elevation
B19	Column Collar
B20	Table
B21	Wire Stabilizer

Base and Table Assembly Drawing



When ordering a part from this drawing, add an "B" prefix to the part number.

LIMITED 1 YEAR / 90 DAY WARRANTY

Harbor Freight Tools Co. makes every effort to assure that its products meet high quality and durability standards, and warrants to the original purchaser that for a period of ninety days from date of purchase that the engine/motor, the belts (if so equipped), and the blades (if so equipped) are free of defects in materials and workmanship. Harbor Freight Tools also warrants to the original purchaser, for a period of one year from date of purchase, that all other parts and components of the product are free from defects in materials and workmanship (90 days if used by a professional contractor or if used as rental equipment). This warranty does not apply to damage due directly or indirectly, to misuse, abuse, negligence or accidents, repairs or alterations outside our facilities, normal wear and tear, or to lack of maintenance. We shall in no event be liable for death, injuries to persons or property, or for incidental, contingent, special or consequential damages arising from the use of our product. Some states do not allow the exclusion or limitation of incidental or consequential damages, so the above limitation of exclusion may not apply to you. THIS WARRANTY IS EXPRESSLY IN LIEU OF ALL OTHER WARRANTIES, EXPRESS OR IMPLIED, INCLUDING THE WARRANTIES OF MERCHANTABILITY AND FITNESS.

To take advantage of this warranty, the product or part must be returned to us with transportation charges prepaid. Proof of purchase date and an explanation of the complaint must accompany the merchandise. If our inspection verifies the defect, we will either repair or replace the product at our election or we may elect to refund the purchase price if we cannot readily and quickly provide you with a replacement. We will return repaired products at our expense, but if we determine there is no defect, or that the defect resulted from causes not within the scope of our warranty, then you must bear the cost of returning the product.

This warranty gives you specific legal rights and you may also have other rights which vary from state to state.

3491 Mission Oaks Blvd. • PO Box 6009 • Camarillo, CA 93011 • (800) 444-3353